



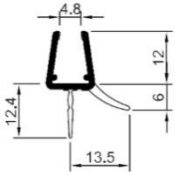
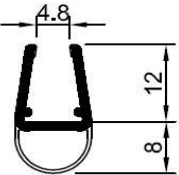
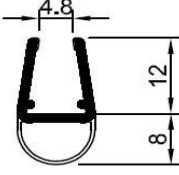
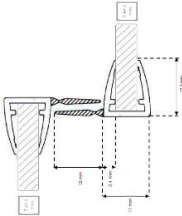




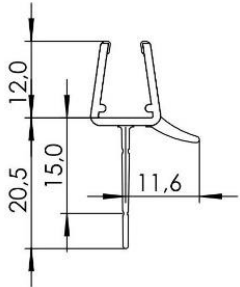
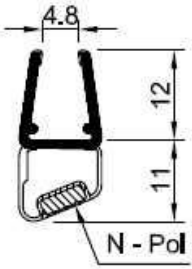
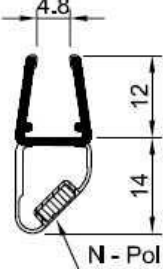
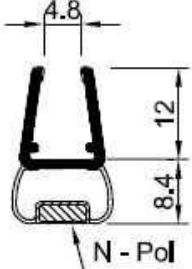






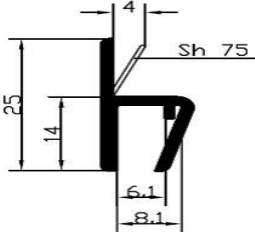
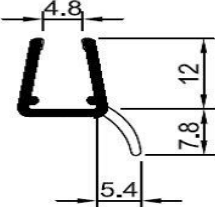
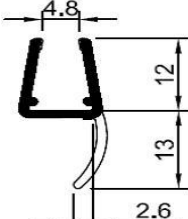
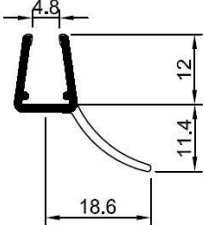



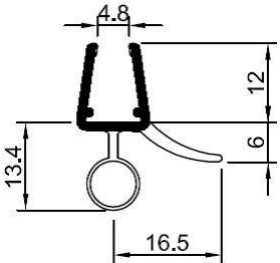
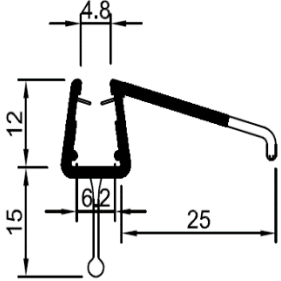
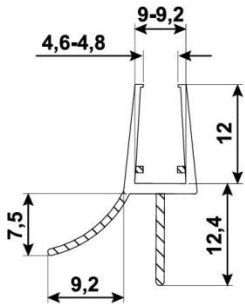
# Universal Shower Door Seals

Technical data sheet

Order number: 23010	Order number: 23011	Order number: 23012	Order number: 23013
			
			
Order number: 23015	Order number: 23060	Order number: 23061	Order number: 23062
			
			

# Universal Shower Door Seals

Technical data sheet

<p>Order number: 23064</p>	<p>Order number: 23065</p>	<p>Order number: 23066</p>	<p>Order number: 23068/23070</p>
			
			
<p>Order number: 23069</p>	<p>Order number: 23016</p>	<p>Order number: 23017</p>	
			
			

# Universal Shower Door Seals

## Technical data sheet

Order-no.	Article	Dimension	Position	Threas			Suitable for glass thickness in mm			Suitability of materials	
				Gap	Middle	Wall	6	7	8	Glass	Acryl
23010	Double lip	1 meter	horizontal				√	√	√	√	√
23011	round lip/ hollow chamber	1 meter	horizontal				√	√	√	√	√
23012	round lip/ hollow chamber	2 meter	vertical	√		√	√	√	√	√	√
23013*	Sliding door	2 x 2 meter	vertical		√		√	√	√	√	√
23015	tear-off double lip	1 meter	horizontal				√	√	√	√	√
23016	Wide lip	1 meter	horizontal				√	√	√	√	√
23017	Curved double lip	2 x 0,52 meter	horizontal				√	√	√	√	√
23060	Set of 2 with magnetic stripe 135°	2 x 2 meter	vertical		√		√	√	√	√	√
23061	Set of 2 with magnetic stripe 90°	2 x 2 meter	vertical		√		√	√	√	√	√
23062	Set of 2 with magnetic stripe 180°	2 x 2 meter	vertical		√		√	√	√	√	√
23064	Lip with stop profile	2 meter	vertical		√		√	√	√	√	√
23065	Short lip	2 meter	vertical	√	√		√	√	√	√	√
23066	Long lip	2 meter	vertical	√	√		√	√	√	√	√
23068	Simple lip	1 meter	horizontal				√	√	√	√	√
23069	Round grinding lip	1 meter	horizontal				√	√	√	√	√
23070	Simple lip long	2 meter	vertical	√	√		√	√	√	√	√

# Universal Shower Door Seals

## Technical data sheet

### Advantages and features:

- For mounting on glasses with a thickness of 6-8 mm
- Made in EU(Except 23013)
- Can be cropped
- Easy to assemble
- Water repellent

### Shelf life and storage:

Storage must be dry and at normal humidity. Storage time up to 10 years.

### Shortening the bars:

(Not with the puck saw or cutter knife)



### Notice

All information and recommendations contained in this technical data sheet do not represent guaranteed properties. They are based on our research results and experience. However, they are non-binding as we are not responsible for compliance with the processing conditions may be, since we do not know the special application conditions at the user.

A guarantee can only be given for the consistently high quality of our products. We recommend that you conduct sufficient tests to determine whether the specified product has the properties you want. A claim from this is excluded. The processor bears sole responsibility for incorrect or inappropriate use.

